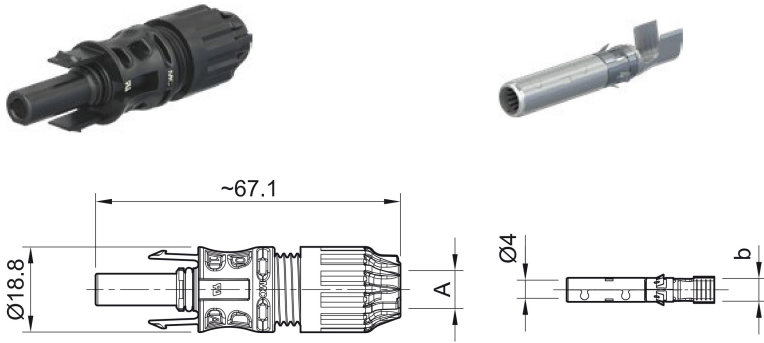


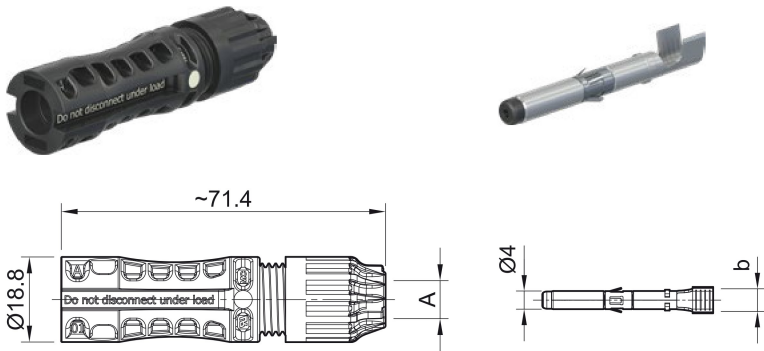
Female and male cable coupler MC4-Evo 2

Female and male cable coupler as individual part (including insulating part)

PV-KBT4-EVO 2/...-UR



PV-KST4-EVO 2/...-UR



Assembly instructions MA273

www.staubli.com/electrical



Sealing caps page 49

Assembly tools page 54

Internationally certified with IEC, UL, JET, cTÜVus. Approved for DC 1500 V (IEC, JET), DC 1500 V (UL) unrestricted access. MULTILAM Technology, has proven the

quality and durability several 100 million times since 2004. Suited for all climatic environments thanks to resistance to UV, ammonia, and high IP class (IP68). Available as a

field and preassembled connector, standard crimping tools can be used. Mating compatibility with MC4 connector family.

| Technical data | |
|--|--------------------------|
| Connector system | MC4-Evo 2 |
| Ambient temperature range | -40 °C...+85 °C (TÜV/UL) |
| Upper limiting temperature | 115 °C |
| Degree of protection | IP68 (1 m, 1 h)/IP65 |
| Degree of protection, unmated | IP2X |
| Category | CAT III |
| Degree of pollution | 3 |
| Max. contact resistance of the connector | 0.2 mΩ |
| Rated Impulse Voltage | 16 kV |
| Contact system | MULTILAM |
| Type of connection | Crimping |
| Contact material | Copper, tin plated |
| Insulation material | PA |
| Locking system | Locking Type |
| Fire protection class | UL94:V-0 |
| Ammonia resistance (acc. to TÜV) | yes |
| Salt mist spray test, degree of severity 6 | yes |
| TÜV Rheinland certifications number | R 60127169 |
| UL-File number | E343181 |
| JET number of certificate | B18T0049 |

Female and male cable coupler MC4-Evo 2

Female and male cable coupler as individual part (including insulating part)

| Order No. | Type | Socket | Plug | Outer diameter of cable | Width of crimp opening | IEC 62852 | | | UL 6703 | | | Approvals | | |
|-----------------|------------------------|--------|------|-------------------------|------------------------|-----------------|------|----|---------|------|----|-----------|----|-----|
| | | | | | | mm ² | DC V | A | AWG | DC V | A | TUV | UR | JET |
| 32.0082P0001-UR | PV-KBT4-EVO 2/2,5I-UR | x | | 4.7-6.4 | 4.0 | 2.5 | 1500 | 39 | | | | x | x | x |
| | | | | | | | | | 14 | 1500 | 30 | | | |
| 32.0083P0001-UR | PV-KST4-EVO 2/2,5I-UR | | x | 4.7-6.4 | 4.0 | 2.5 | 1500 | 39 | | | | x | x | x |
| | | | | | | | | | 14 | 1500 | 30 | | | |
| 32.0098P0001-UR | PV-KBT4-EVO 2/2,5X-UR | x | | 6.1-7.3 | 4.0 | 2.5 | 1500 | 39 | | | | x | x | |
| | | | | | | | | | 14 | 1500 | 30 | | | |
| 32.0099P0001-UR | PV-KST4-EVO 2/2,5X-UR | | x | 6.1-7.3 | 4.0 | 2.5 | 1500 | 39 | | | | x | x | |
| | | | | | | | | | 14 | 1500 | 30 | | | |
| 32.0084P0001-UR | PV-KBT4-EVO 2/2,5II-UR | x | | 6.4-8.4 | 4.0 | 2.5 | 1500 | 39 | | | | x | x | x |
| | | | | | | | | | 14 | 1500 | 30 | | | |
| 32.0085P0001-UR | PV-KST4-EVO 2/2,5II-UR | | x | 6.4-8.4 | 4.0 | 2.5 | 1500 | 39 | | | | x | x | x |
| | | | | | | | | | 14 | 1500 | 30 | | | |
| 32.0086P0001-UR | PV-KBT4-EVO 2/6I-UR | x | | 4.7-6.4 | 5.8 | 4 | 1500 | 45 | | | | x | x | x |
| | | | | | | 6 | 1500 | 53 | | | | | | |
| | | | | | | | | | 12 | 1500 | 35 | | | |
| | | | | | | | | | 10 | 1500 | 50 | | | |
| 32.0087P0001-UR | PV-KST4-EVO 2/6I-UR | | x | 4.7-6.4 | 5.8 | 4 | 1500 | 45 | | | | x | x | x |
| | | | | | | 6 | 1500 | 53 | | | | | | |
| | | | | | | | | | 12 | 1500 | 35 | | | |
| | | | | | | | | | 10 | 1500 | 50 | | | |
| 32.0124P0001-UR | PV-KBT4-EVO 2/6X-UR | x | | 6.1-7.3 | 5.8 | 4 | 1500 | 45 | | | | x | x | |
| | | | | | | 6 | 1500 | 53 | | | | | | |
| | | | | | | | | | 12 | 1500 | 35 | | | |
| | | | | | | | | | 10 | 1500 | 50 | | | |
| 32.0125P0001-UR | PV-KST4-EVO 2/6X-UR | | x | 6.1-7.3 | 5.8 | 4 | 1500 | 45 | | | | x | x | |
| | | | | | | 6 | 1500 | 53 | | | | | | |
| | | | | | | | | | 12 | 1500 | 35 | | | |
| | | | | | | | | | 10 | 1500 | 50 | | | |

Note:

For more detailed information concerning the suitable cable gland range, please consult MA273.

| Order No. | Type | Socket | Plug | Outer diameter of cable | Width of crimp opening | IEC 62852 | | | UL 6703 | | | Approvals | | |
|-----------------|-----------------------|--------|------|-------------------------|------------------------|-----------------|------|----|---------|------|----|-----------|----|-----|
| | | | | | | mm ² | DC V | A | AWG | DC V | A | TÜV | UR | JET |
| | | | | A (mm) | b (mm) | | | | | | | | | |
| 32.0088P0001-UR | PV-KBT4-EVO 2/6II-UR | x | | 6.4-8.4 | 5.8 | 4 | 1500 | 45 | | | | x | x | x |
| | | | | | | 6 | 1500 | 53 | | | | | | |
| | | | | | | | | | 12 | 1500 | 35 | | | |
| | | | | | | | | | 10 | 1500 | 50 | | | |
| 32.0089P0001-UR | PV-KST4-EVO 2/6II-UR | | x | 6.4-8.4 | 5.8 | 4 | 1500 | 45 | | | | x | x | x |
| | | | | | | 6 | 1500 | 53 | | | | | | |
| | | | | | | | | | 12 | 1500 | 35 | | | |
| | | | | | | | | | 10 | 1500 | 50 | | | |
| 32.0102P0001-UR | PV-KBT4-EVO 2/10X-UR | x | | 6.1-7.3 | 6.5 | 10 | 1500 | 69 | | | | x | x | |
| | | | | | | | | | 8 | 1500 | 70 | | | |
| 32.0103P0001-UR | PV-KST4-EVO 2/10X-UR | | x | 6.1-7.3 | 6.5 | 10 | 1500 | 69 | | | | x | x | |
| | | | | | | | | | 8 | 1500 | 70 | | | |
| 32.0092P0001-UR | PV-KBT4-EVO 2/10II-UR | x | | 6.4-8.4 | 6.5 | 10 | 1500 | 69 | | | | x | x | |
| | | | | | | | | | 8 | 1500 | 70 | | | |
| 32.0093P0001-UR | PV-KST4-EVO 2/10II-UR | | x | 6.4-8.4 | 6.5 | 10 | 1500 | 69 | | | | x | x | |
| | | | | | | | | | 8 | 1500 | 70 | | | |